

OS200 PLATFORM LIFT

PERFECT FOR OUTDOOR USE



ndis National Disability Insurance Scheme

Registered provider

OS100 SPECIFICATIONS

Capacity	400kg
Speed	0.08m/sec
Travel	2000mm maximum
Pit	No pit required
Size	1100 x 1400mm NCC E3 size
Power	Single Phase
Compliance	AS1735.15 (up to 2000mm)
Easy to use, Flexible Design	



easy livingTM
platform lifts
access for all...

QUALITY

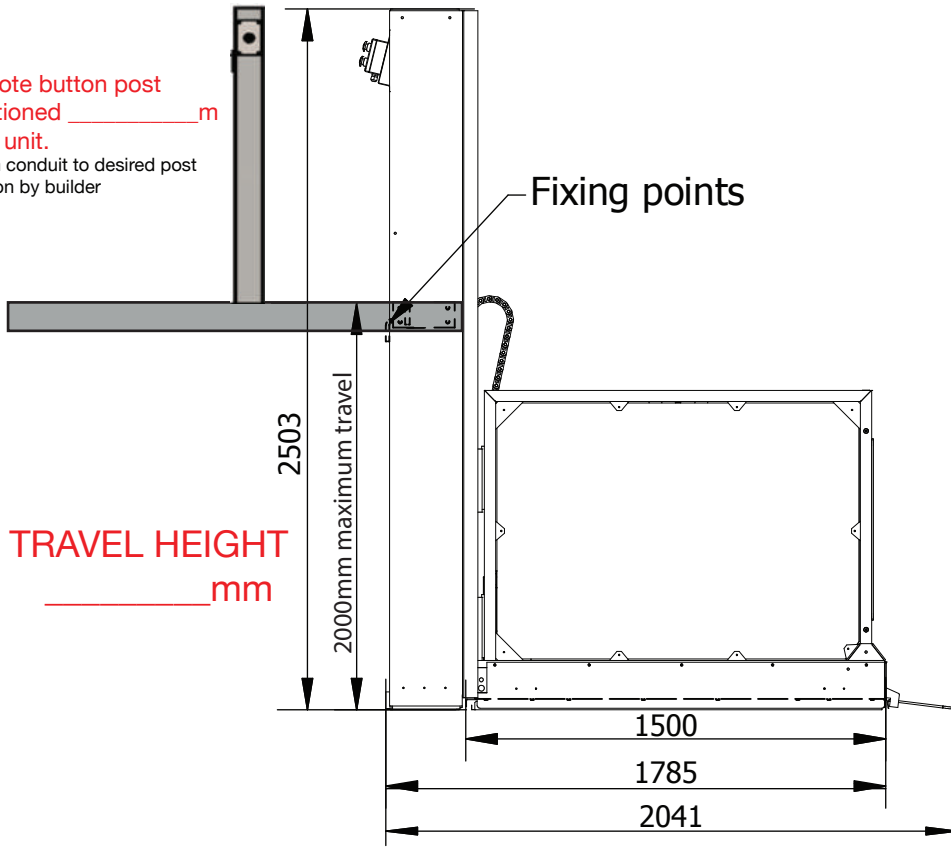
COMPLIANCE

VALUE

OS200 PLATFORM LIFT DRAWINGS

PROJECT ADDRESS: _____

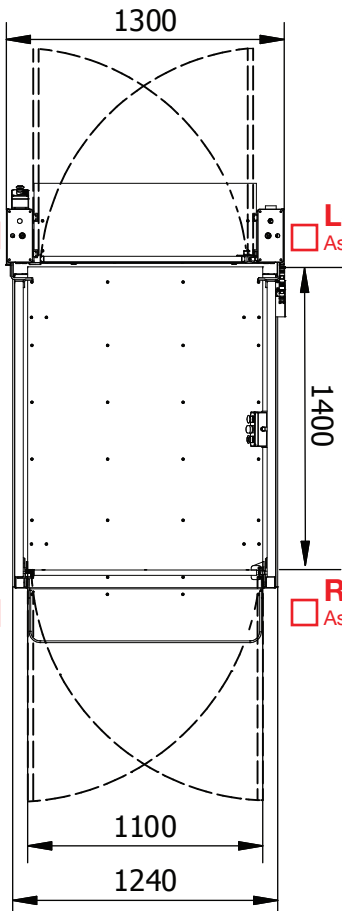
Remote button post
Positioned _____m
from unit.
20mm conduit to desired post
location by builder



Remote button post
Positioned _____m
from unit.
20mm conduit to desired post
location by builder

TRAVEL HEIGHT
_____mm

Right hand hinge
As viewed from top landing



Left hand hinge
As viewed from top landing

Left hand hinge
As viewed from lower landing

Right hand hinge
As viewed from lower landing

APPLICATION

- Indoor
- Outdoor

Automatic powered gate

- Yes
- No

THIS LAYOUT IS APPROVED:

SIGNED: _____

COMPANY: _____

NAME: _____

DATE: _____

Platform Lift is required on site approx.

____ / ____ / ____