

LU100 PLATFORM LIFT

LIFE WITHOUT BARRIERS



LU100 SPECIFICATIONS

Capacity	400kg
Speed	0.04m/sec
Size	1100W x 1400D mm
Lifting height	Up to 1000mm
Power	Single Phase
Pit	No pit required
Compliance	NCC E3.6
Hold to run controls, constant pressure to operate	
Minimal builders works	
Danish designed and manufactured	
Safety features: Battery backup which allows the EasyStep to operate during mains power failure. Emergency stop on platform, overload protection & doors.	

Seamless Free-Standing Design

A number of architects were consulted during the design phase of the LU100 platform lift. Every aspect of the lift has been designed with form, function and flexibility front of mind. There is no unsightly masts like other platform lifts and the four lifting motors positioned at each corner makes best use of the available floor space. Ideal for both residential and public areas.

GOOD NEWS! LU100 platform lift standard models are kept "in stock" ready for quick delivery.

Stock does vary on a daily basis.

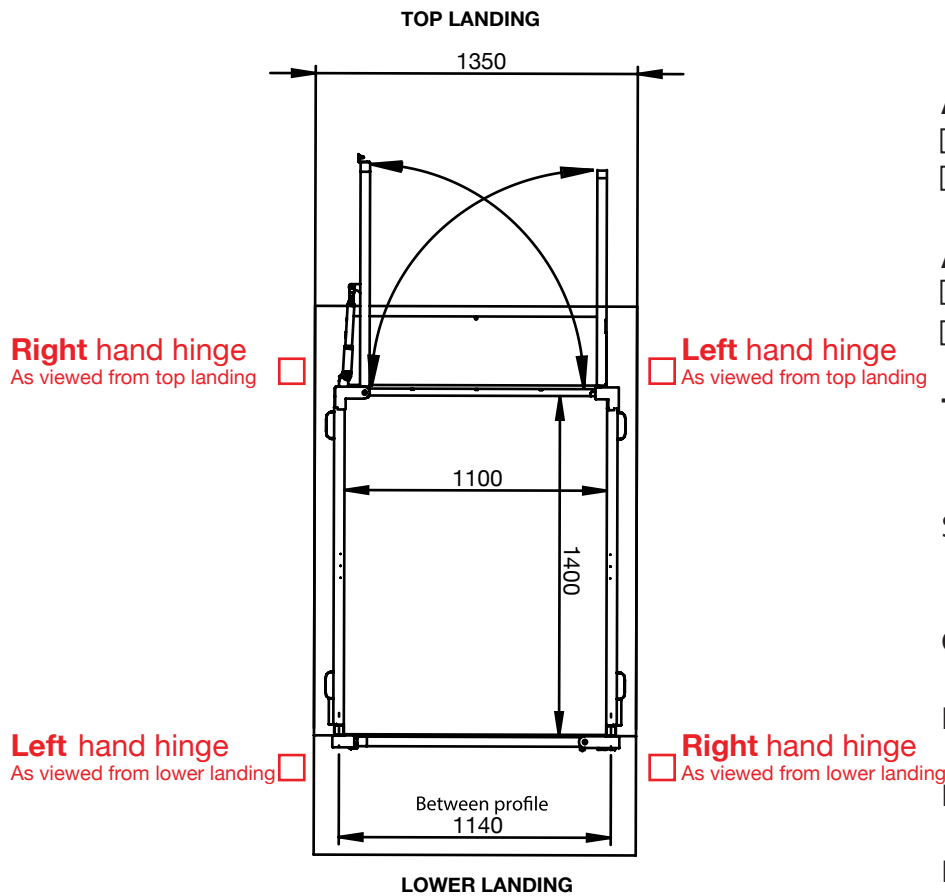
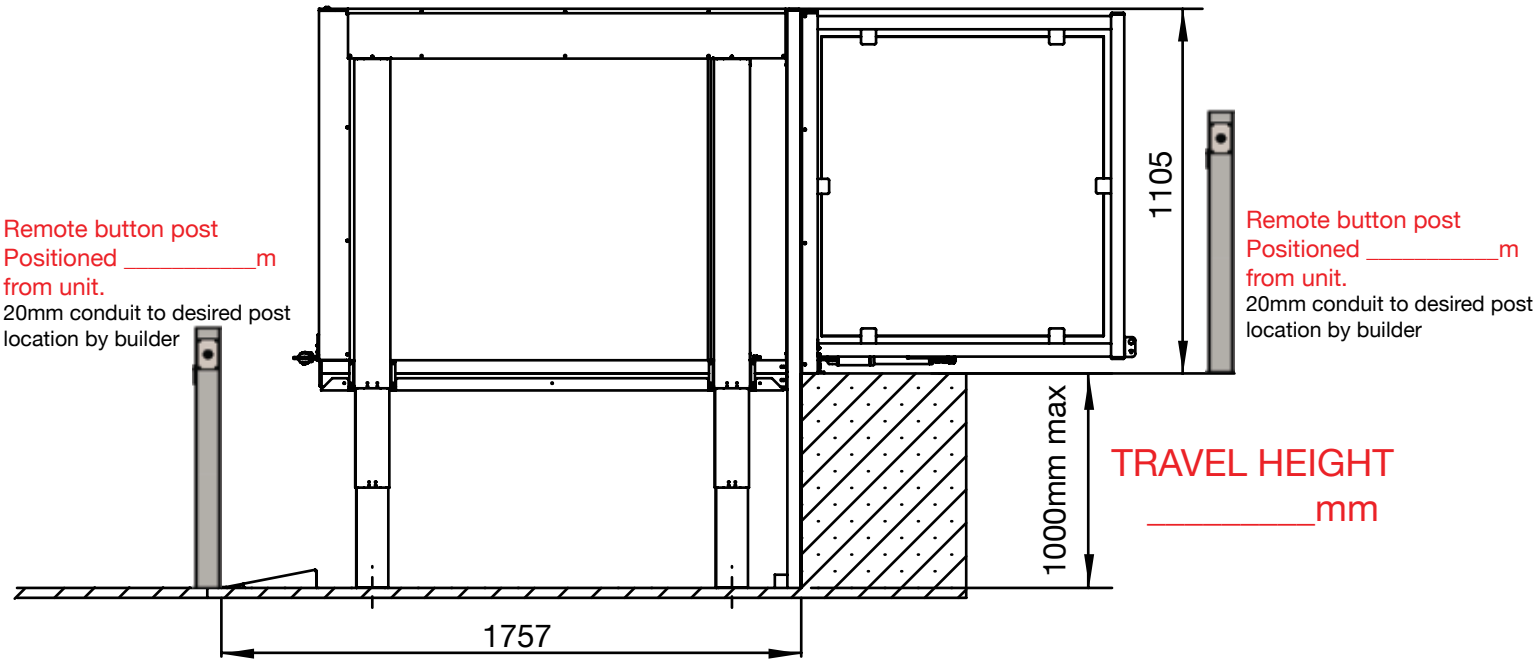


easy living™
platform lifts
access for all...

ndis
REGISTERED
PROVIDER

LU100 PLATFORM LIFT DRAWINGS

PROJECT ADDRESS: _____



APPLICATION

- Indoor
 Outdoor

Automatic powered gate

- Yes
 No

THIS LAYOUT IS APPROVED:

SIGNED: _____

COMPANY: _____

NAME: _____

DATE: _____

Platform Lift is required on site approx.

____ / ____ / ____